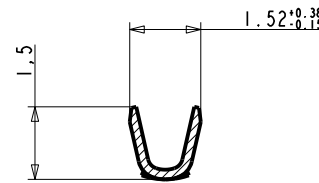
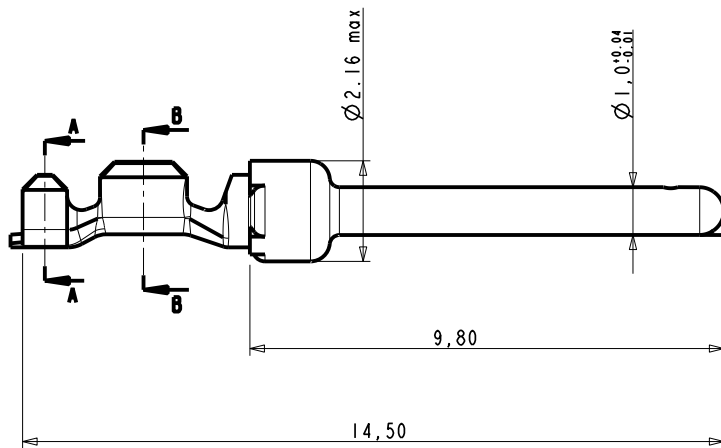
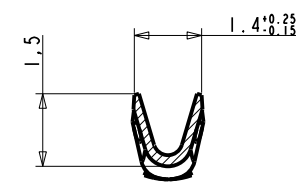


PART NUMBER	Plating
8656450067LF	0.4μ Au
8656450067	0.4μ Au

- NOTES:
- 1-Material: phosphor bronze, thickness 0.20
 - 2-Finish on contact area: SEE TABLE
Finish on termination: bright tin lead over nickel
 - 3-Wire range: 20 to 28 AWG
 - 4-Max outer dia of wire insulator:
-1.73 mm for contact #20-24
-1.02 mm for contact #24-28
 - 5-Current carrying capacity per contact:
5 Amps max when crimped to #20 AWG
5 Amps max when crimped to #22 AWG
3 Amps max when crimped to #24 AWG
2 Amps max when crimped to #26 AWG
1 Amps max when crimped to #28 AWG
 - 6-After 5 insertions into connector, contact retention must be 5 pounds axial load min
 - 7-When contact is crimped to 20 AWG, the insulation support crimped height must be 1.78 mm max to ensure a proper insertion into housing
 - 6-Packaging: Reel



SECTION A-A



SECTION B-B

CROSS SECTIONS FOR CT #24-28



Copyright FCI.

NOTE : ROHS INFORMATIONS
The LF products meet European union directives and other country regulations as described in GS-22-008
Terminations plating spec : 2um Nickel min + 2um Sn min
Packaging Spec : see GS-14-920

rev	ecn no	dr	date
C	LS06-196	MPE	27/11/2006
D	LS08-0127	MPE	13/05/2008
-	-	-	-
-	-	-	-
-	-	-	-

www.fciconnect.com		surface - ISO 1302	tolerance std ISO 406 ISO 1101	projection A3	mm
TOLERANCES UNLESS OTHERWISE SPECIFIED					
Dr	-	18/04/03	ANGULAR	0.X ±0.3	Scale 5/1
Eng	-	-	LINEAR	0.XX ±0.1	
Chr	-	-	0° ±2°	0.XXX ±0.05	ECN LS08-0127
Appr	-	-	Product family	-	Spec ref -
FCI		title CRIMP PIN		dwg no	COI-8656-0417
		#Wire 24-28 Ø1.02		Rev.	D
		catalog no		sheet 1 of 1	

REV I - 2006-04-17